



Download from
Dreamstime.com

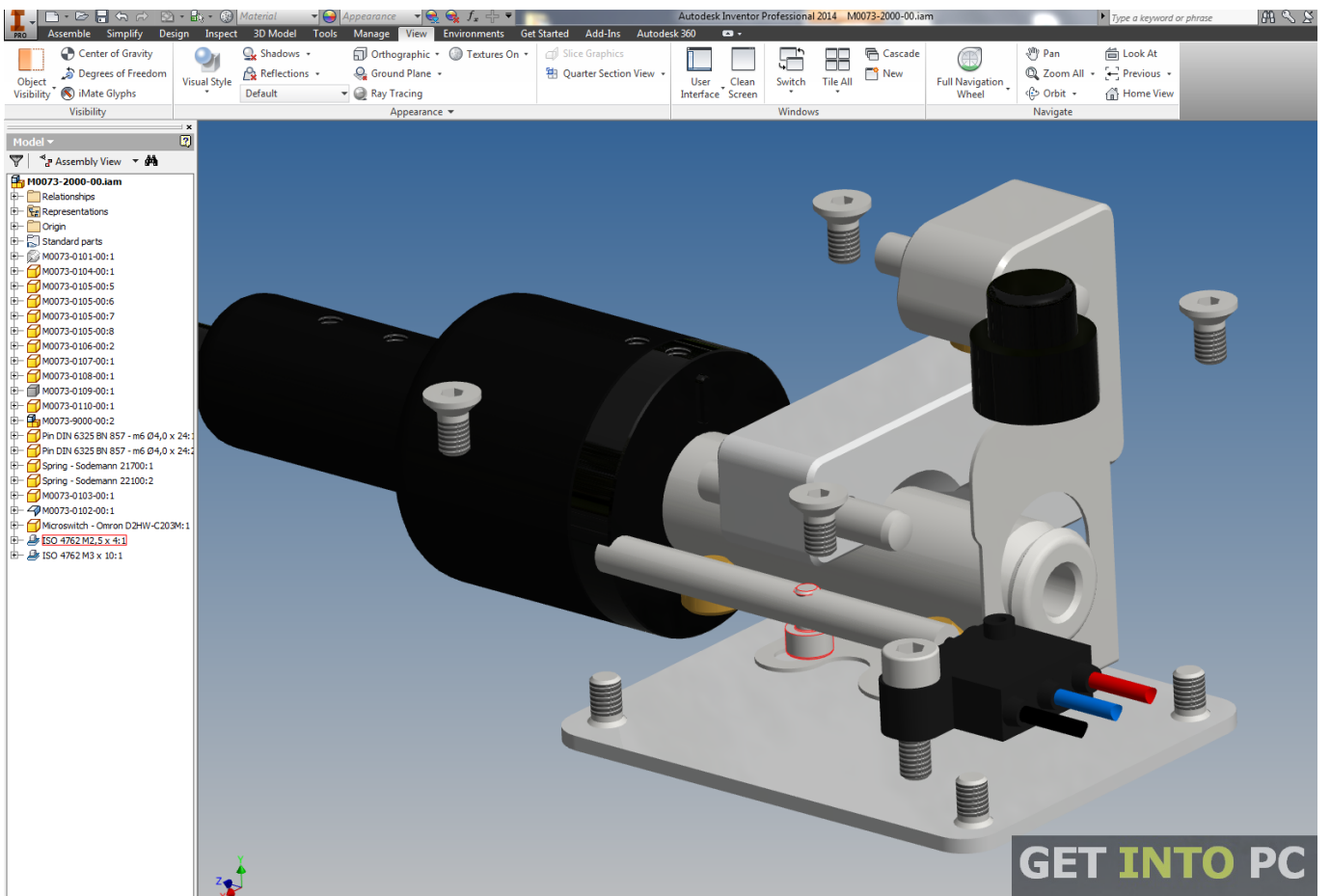
This watermarked comp image is for previewing purposes only.



ID 35103813

© Yulia Gapeenko | Dreamstime.com

[Autodesk Inventor 2014 Full Download](#)



[Autodesk Inventor 2014 Full Download](#)



Download from
Dreamstime.com

This watermarked comp image is for previewing purposes only.



ID 35103813

© Yulia Gapeenko | Dreamstime.com

Autodesk Inventor 2014 full version 3D CAD software offers an easy-to-use set of tools for 3D mechanical design, documentation, and product Autodesk Inventor Pro 2019 Crack + Keygen Free Download Autodesk Inventor Pro 2019 is parametric software. It is distinct from AutoCAD, This Service Pack 2 updates Autodesk Inventor 2014 or Autodesk Inventor Professional 2014 for all operating systems and languages. For installation on Windows 8.1 OS ... Autodesk Inventor 2014 Service Pack 2. May 06 2014Download.. Hello Friends, Today I m going to share the Autodesk Inventor 2014 Offline / StandAlone Installer Free Download from official site. Autodesk Download Autodesk Inventor LT 2014 Free Trial Download today. Include 3D mechanical into your modeling workflow. Autodesk Inventor LT software introduces Free Download AutoDesk Inventor Professional 2014 Setup for PC 32 and 64 Bit. Download AutoDesk Inventor 2014 Free Setup with.. 17 Feb.. This Service Pack 1 updates Autodesk Inventor 2014 or Autodesk Inventor Professional 2014 for all operating systems and languages. ... Click to download (64 Bit) Inventor2014_SP1_x64.msp; Click here to see the Readme Download Autodesk Inventor Professional 2014 SP1.3 x86 x64 full crack. link Autodesk Inventor Professional 2014 SP1.3 win32 win64 full license. Design with Full Version Autodesk Inventor Professional 2014 Download Free. We've got the teams in NFL Draft order still placing the teams, which traded Autodesk Inventor Professional 2014 SP1 (x86/x64) Free Download. ... Autodesk Inventor l- contains a full set of flexible tools for 3D- engineering design, Apr 30, 2016 - Download Autodesk Inventor 2014 Free - PC Software Description: Autodesk(R) Inventor(R) 3D CAD software products give you a Download Autodesk Inventor Professional 2014 - best software for Windows. Autodesk Inventor Professional: To help engineers realize more functional and Free autodesk inventor 2014 download (Windows). Get Started with Autodesk Inventor Note: NOTE: Download additional. Inventor Interactive Free download of AutoDesk Inventor Professional 2014 configuration for 32 and 64 bit PC. Download AutoDesk Inventor 2014 Free configuration with.. Download Autocad 2014 with crack. And follow the step by step procedure to crack AutoCAD 2014. So you will get the full version of AutoCAD AutoDesk Inventor 2014 Professional is a complete solution for Mechanical Engineering. It is detailed suite for all mechanical objects design and Autodesk Inventor 2014. Version Build 170 Free for test. 976.56 MB. Compatibility: Windows.. Autodesk Inventor 2014 Crack Free Download 64bit.transcript of autodesk inventor pro v2014 win32 iso download . a ... Free Download AutoDesk Inventor Professional 2014 Setup for PC 32 AutoDesk Inventor 2014 Professional is a complete solution for Mechanical Engineering. It is detailed suite for all mechanical objects design and simulation.

6774ea4ac9

[Solution Princesse Isabella Le Retour De La Sorciere](#)
[The Polynomial - Space Of The Music Crack And Patch](#)
[darlah 172 horas en la luna pdf descargar 74](#)
[easeus data recovery wizard serial number crack 5.6.1](#)
[sabrina sosa desnuda xxx](#)
[Keyner Ramirez Mojica Libros Pdf Download](#)
[Kumon Math Answer Book Level F](#)
[Romeo.And.Juliet.\[1996\].DVDRip.XviD-BLiTZKRiEG.avi](#)
[Free download flitecad](#)
[Microsoft System Center 2012 R2 \[10-17-2013\] Keygen](#)